

LED SPOTLIGHTS 20W



55-155

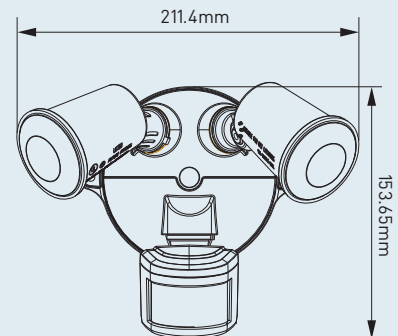


55-158



Description	Colour	Model
LED Spotlight 20W with Motion Sensor	White	55-155
LED Spotlight 20W with Motion Sensor	Black	55-156
LED Spotlight 20W	White	55-157
LED Spotlight 20W	Black	55-158

- Manual override on some models only
- Timing & Lux adjustments
- Stainless steel screws
- Polycarbonate ABS construction



TECHNICAL DATA

	Sensor	Non-Sensor
Mounting	Wall/ceiling	Wall/ceiling
Sensor Adjustment	180°	-
Sensor Type	Passive IR	-
Detection Range	9m (side), 12m (front)	-
Detection Angle	140°	-
Time on Adjustment	5 sec to 5 mins	-
Lux Setting (Lux)	0 to 2000	-
Light Intensity (Lumens)	2000	2000
Colour Temperature	5000K	5000K
SMD	Seoul/Cree	Seoul/Cree
Voltage	100 to 240V AC 50Hz	100 to 240V AC 50Hz
Operating Temperature	-20° C to +50° C	-20° C to +50° C
Environmental Protection	IP54	IP54

